

## SFP Transceiver GE-100FX, 1310nm, 2 km

OPTOKON's **M125-GE-100FX** transceiver is compatible with Small Form Factor Pluggable Multi-Sourcing Agreement (MSA) and are designed for SGMII MAC interface to 100BASE-FX (The SGMII MAC Interface implements a modified 1000BASE-X Auto-Negotiation to indicate link, duplex and speed to the MAC).

The transceivers consist of four sections: the standard SFP part with DDM, the PHY part build with SGMII interface, 1310nm FP laser and the PIN photo-detector.

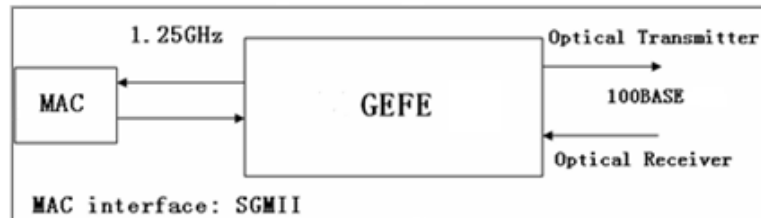


### Features:

- Hot-Pluggable
- Built-in PHY supporting SGMII Interface
- 1310nm FP laser and PIN photo detector
- 100BASE-FX operation
- Duplex LC connector
- Electrically hot-pluggable
- Support Digital Diagnostic Monitoring interface
- Very low EMI and excellent ESD protection
- Operating case temperature: 0°C to +70°C
- Power dissipation < 1.5W

### Applications:

- Switch to switch interface
- Switched backplane applications
- Fast Ethernet
- Others optical transmission systems



### Parameters:

Name	Data rate (Mbps)	Wavelength (nm)	Distance (km)	Media
M125-GE-100FX-F31-LRM	125	1310	2	MMF

### Digital Diagnostics functions:

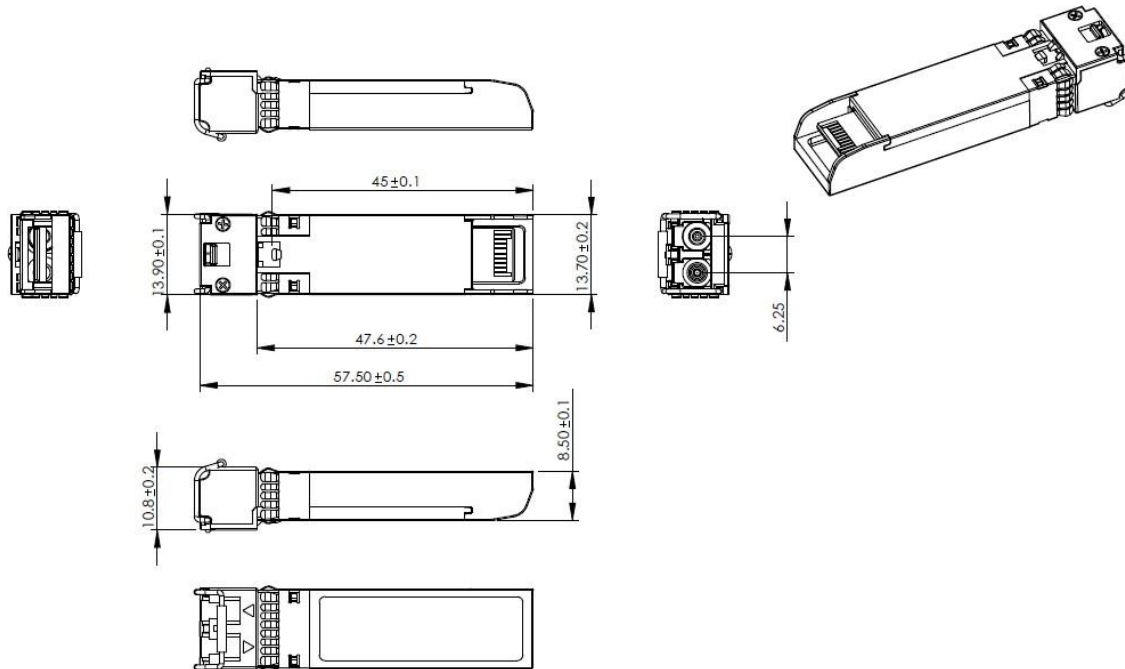
OPTOKON transceivers support the 2-wire serial communication protocol as defined in the QSFP+ MSA, which allows real-time access to the following operating parameters:

- Transceiver temperature
- Laser bias current
- Transmitted optical power
- Received optical power
- Transceiver supply voltage

## Optical characteristic:

	Unit	M125-GE-100FX
Wavelength of Tx (Min/Center/Max)	nm	1290 / 1310 / 1330
Average output power (Min/Max)	dBm	-20 / -12
Transmitter OFF Uotput Power	dBm	-45
Output Eye Mask		Compliant with G.957 (class 1 laser safety)
Optical Extinction ratio	dB	8
Receiver sensitivity	dBm	-30
Input Saturation Power (Overload)	dBm	-3
Transmission distance	km	2
Fiber type	-	MMF
Data rate	Mbps	125
Optical link budget	dBm	10

## Mechanical specifications (mm):



## Ordering code:

Name	Description
M125-GE-100FX-F31-LRM-D-XX	SFP 125 Mbps, GE-100FX, Fast Ethernet for Gigabit Ethernet SFP Ports, MMF, 1310nm, Duplex LC, 2km, 0 °C to +70 °C

**Remark: Full compatibility is conditioned by exact specification of the end device; compatibility of older SFPs is not guaranteed with new devices or updated SW.**